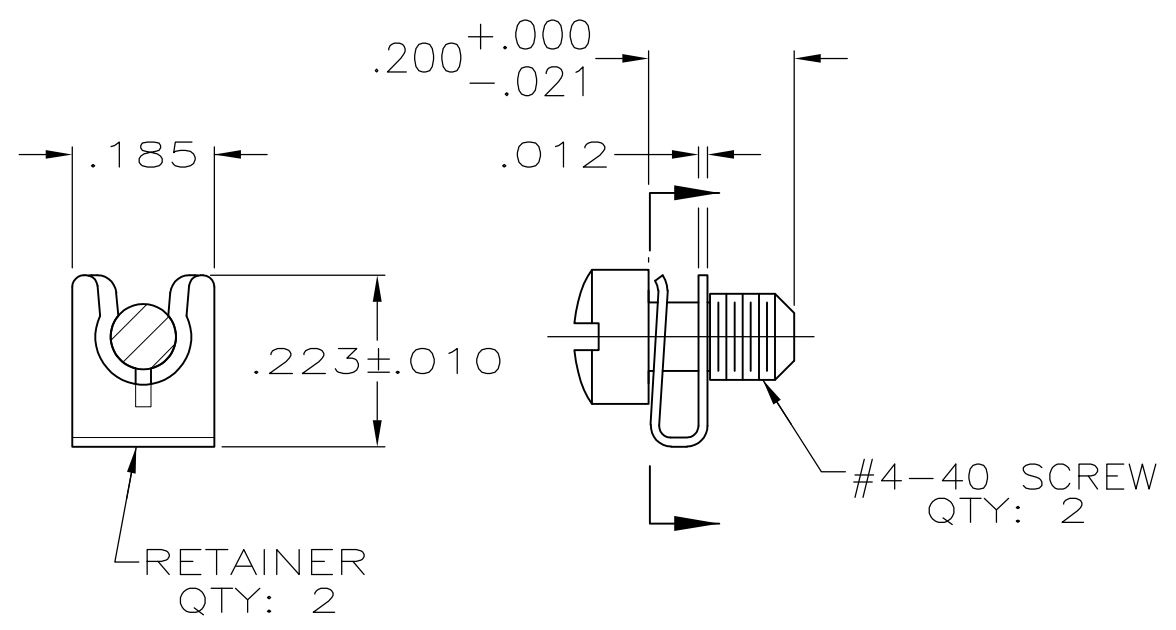


THIS DRAWING IS UNPUBLISHED. RELEASED FOR PUBLICATION
 © COPYRIGHT - By - ALL RIGHTS RESERVED.

LOC	DIST	REVISIONS			
P	LTR	DESCRIPTION	DATE	DWN	APVD
GP	00	P			
		P	REVISED PER ECO-11-004835	11MAR11	RK HMR



- 1 COLD ROLLED STEEL.
- 2 STAINLESS STEEL.
- 3 ZINC PLATED .000200-.000400 THICK, YELLOW CHROMATE COATING.
- 4 ZINC PLATED .000200-.000400 THICK, CLEAR CHROMATE COATING.
- 5. PARTS PACKAGED UNASSEMBLED.
- 6 PARTS PACKAGED AS A UNIT KIT.
- 7 PARTS INDIVIDUALLY BULK PACKAGED & SHIPPED AS A UNIT PACKAGE.

7	4	5745136-4
6	4	5745136-3
7	3	5745136-2
6	3	5745136-1
PACKAGING	SCREW FINISH	PART NO

THIS DRAWING IS A CONTROLLED DOCUMENT.		DWN S.WAITMAN 29JUN05	TE Connectivity														
DIMENSIONS: INCHES		CHK C.ROHDE 29JUN05				NAME											
TOLERANCES UNLESS OTHERWISE SPECIFIED:		APVD M.WALMSLEY 29JUN05				SCREW RETAINER KIT, AMPLIMITE											
<table border="0"> <tr><td>0 PLC</td><td>± -</td></tr> <tr><td>1 PLC</td><td>± -</td></tr> <tr><td>2 PLC</td><td>± -</td></tr> <tr><td>3 PLC</td><td>± .005</td></tr> <tr><td>4 PLC</td><td>± -</td></tr> <tr><td>ANGLES</td><td>± -</td></tr> </table>		0 PLC				± -	1 PLC	± -	2 PLC	± -	3 PLC	± .005	4 PLC	± -	ANGLES	± -	PRODUCT SPEC
0 PLC	± -																
1 PLC	± -																
2 PLC	± -																
3 PLC	± .005																
4 PLC	± -																
ANGLES	± -																
MATERIAL FINISH		APPLICATION SPEC	SIZE	CAGE CODE	DRAWING NO												
SCREWS: 1 RETAINERS: 2		WEIGHT -	A3	00779	C-5745136												
SCREWS: SEE TABLE		CUSTOMER DRAWING	SCALE 4:1	SHEET 1 OF 1	REV P												